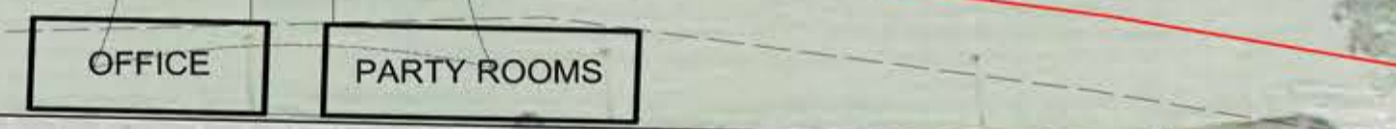
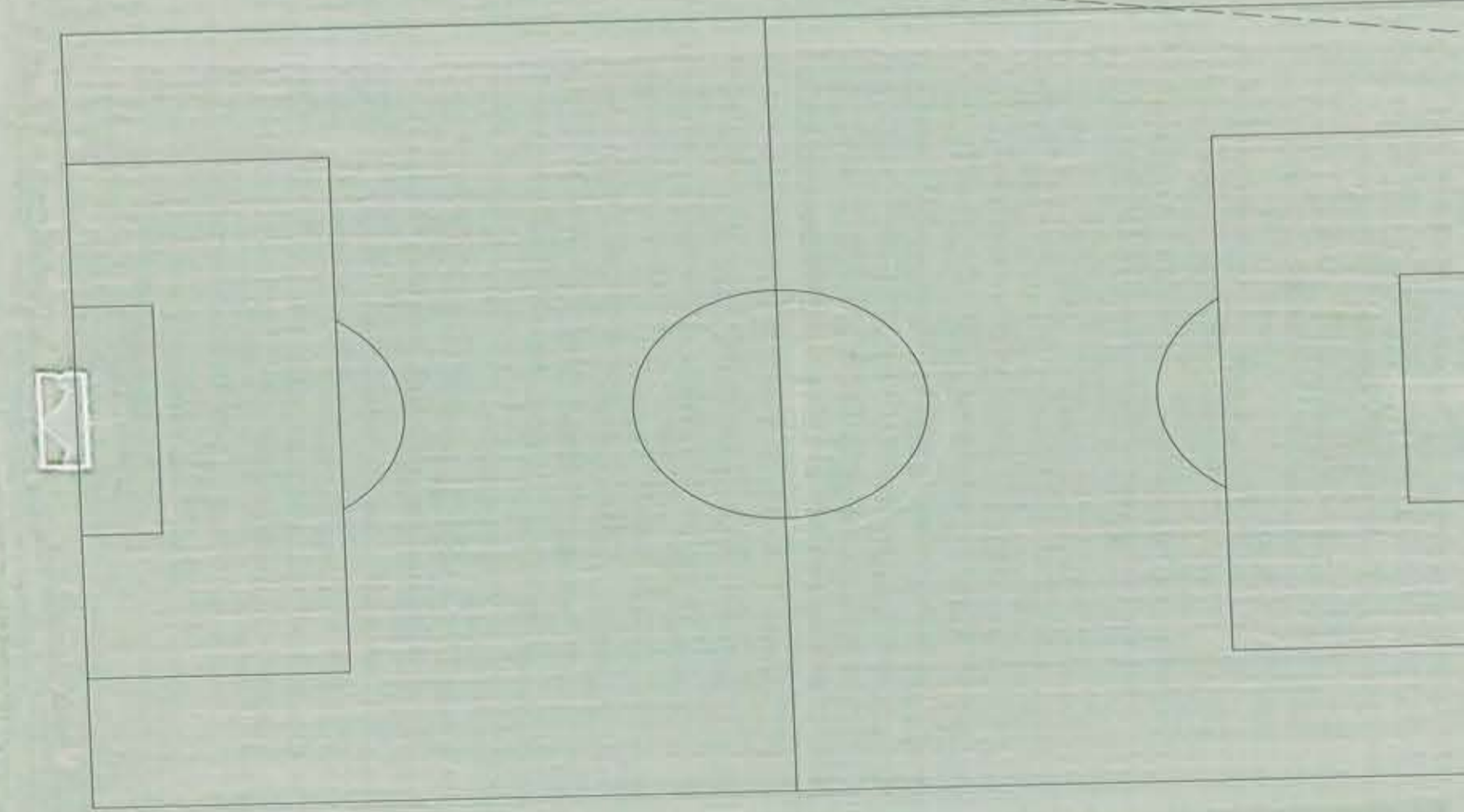
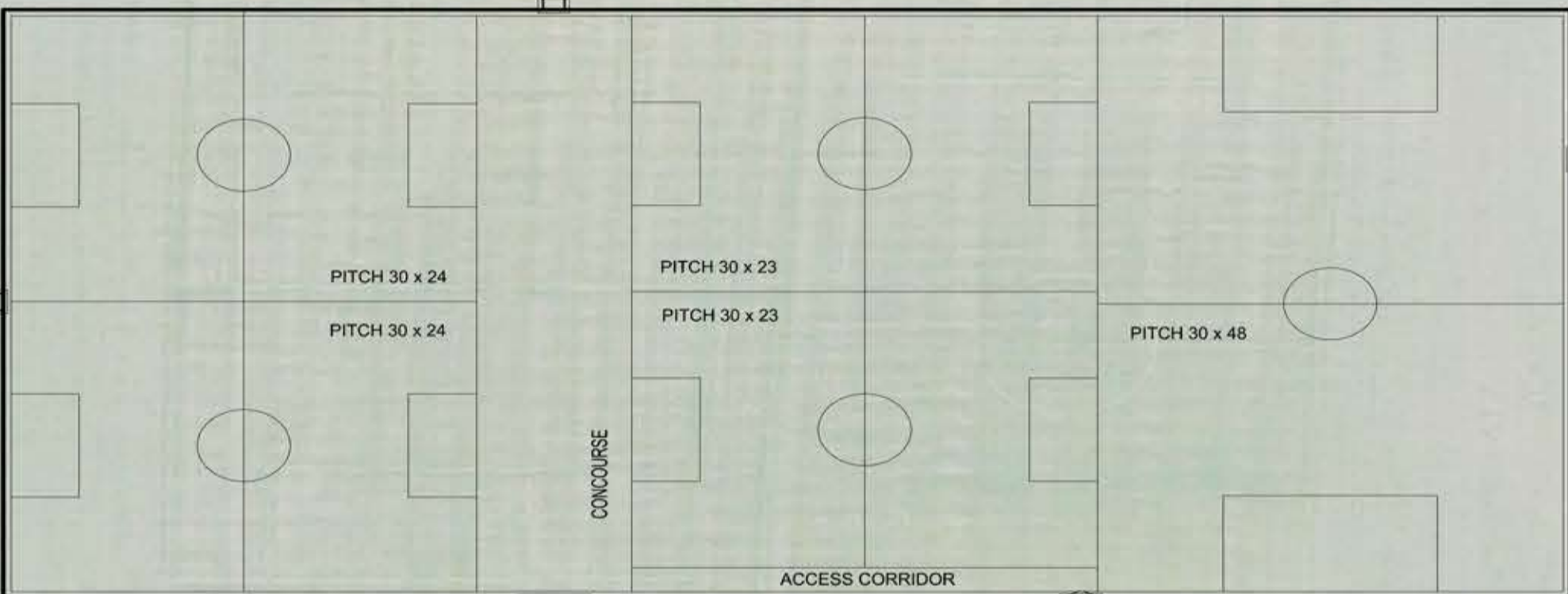
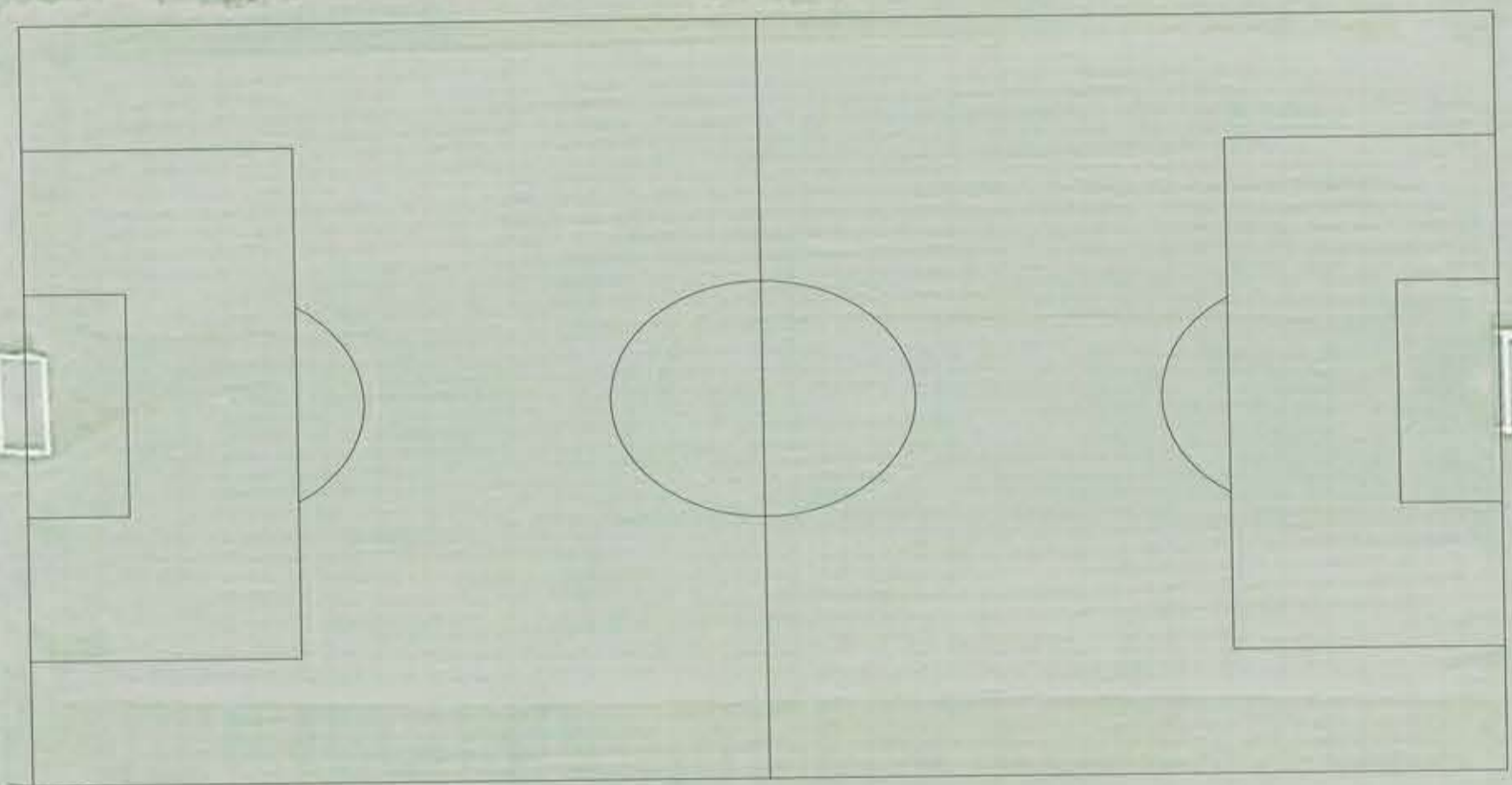
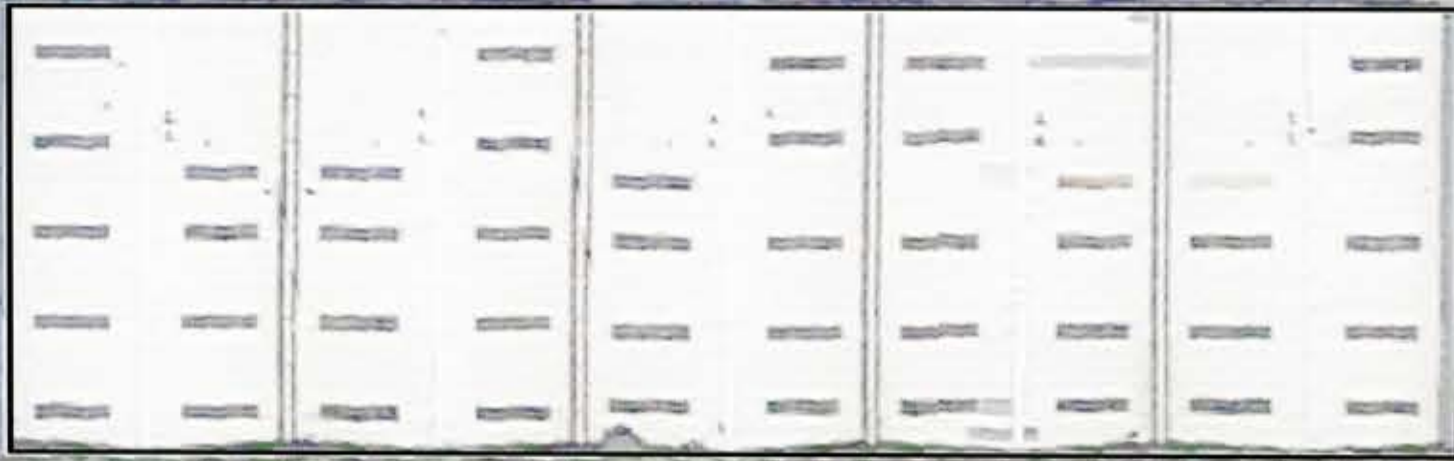
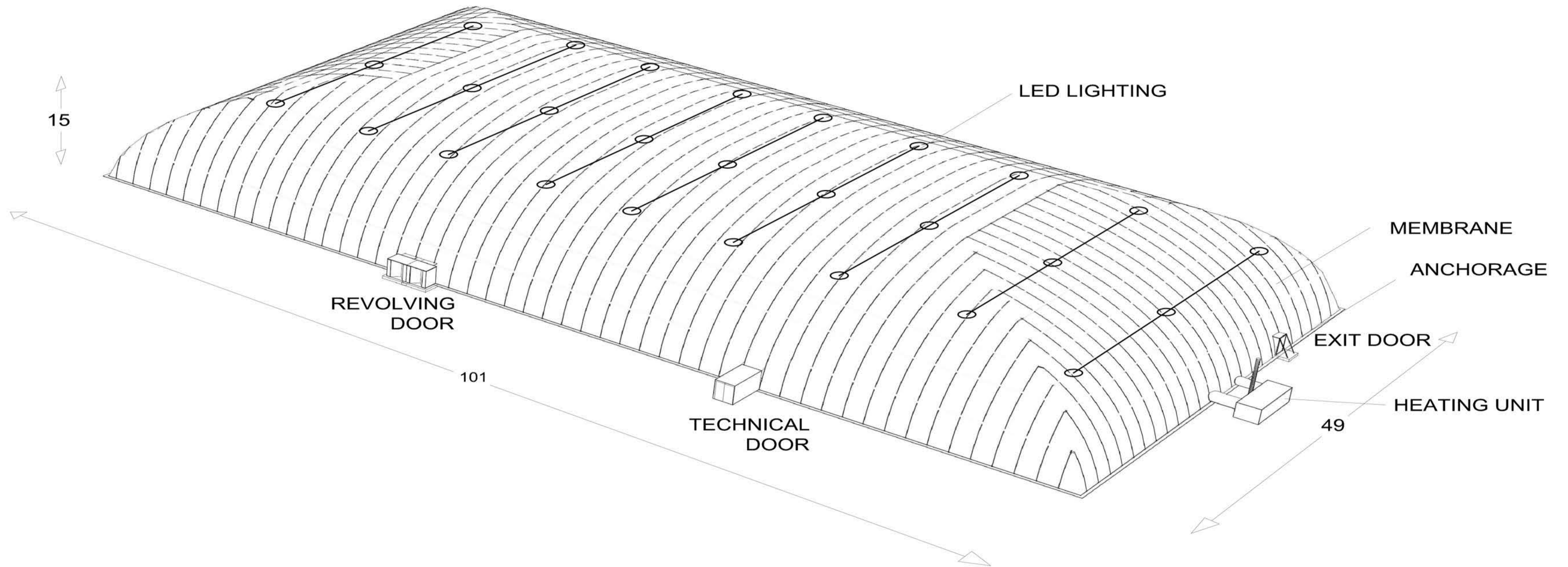


AIR DOME 101,00 x 49,00 x 15,00
- double membrane

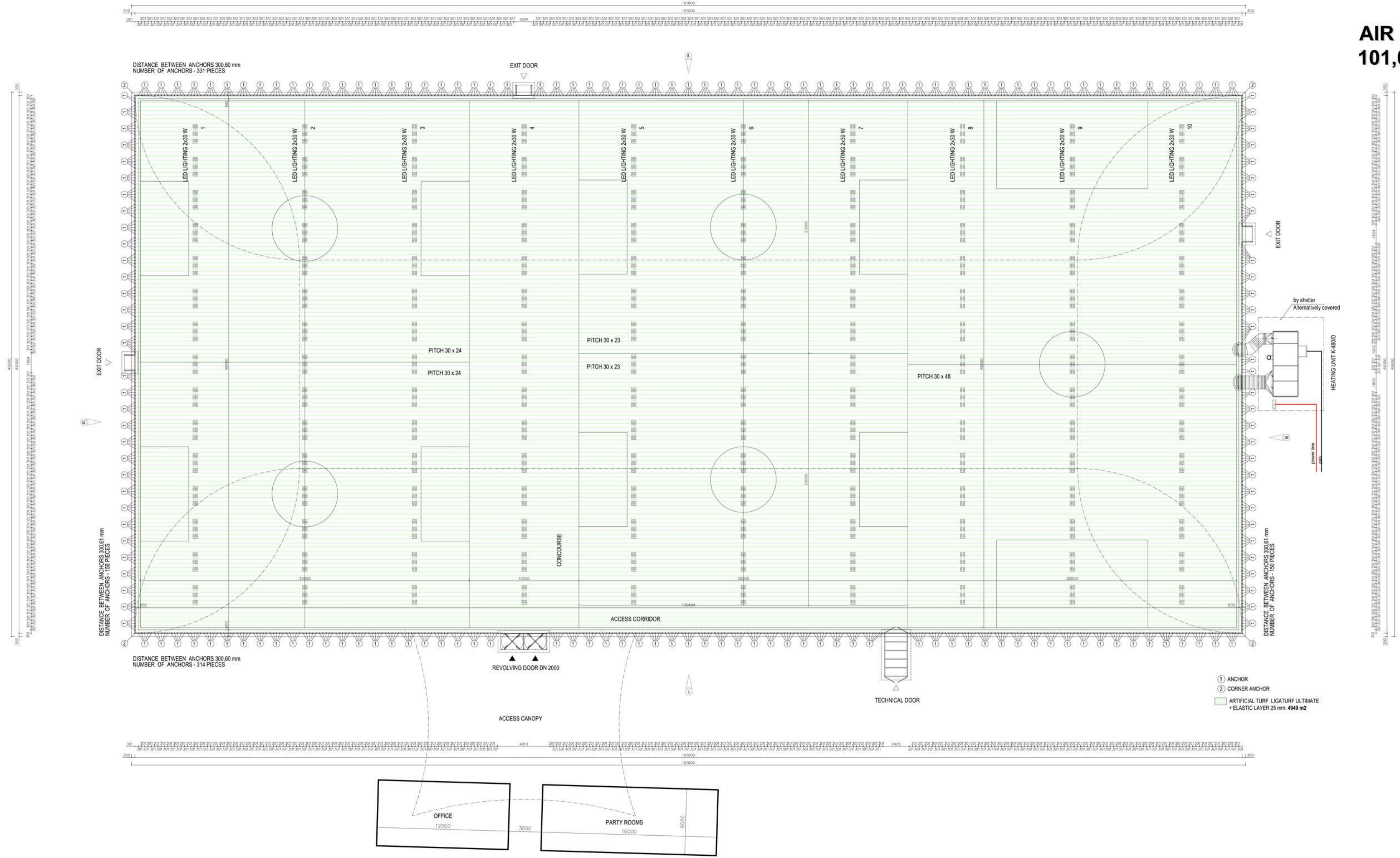


AIR DOME 101,00 x 49,00 x 15,00 - double membrane



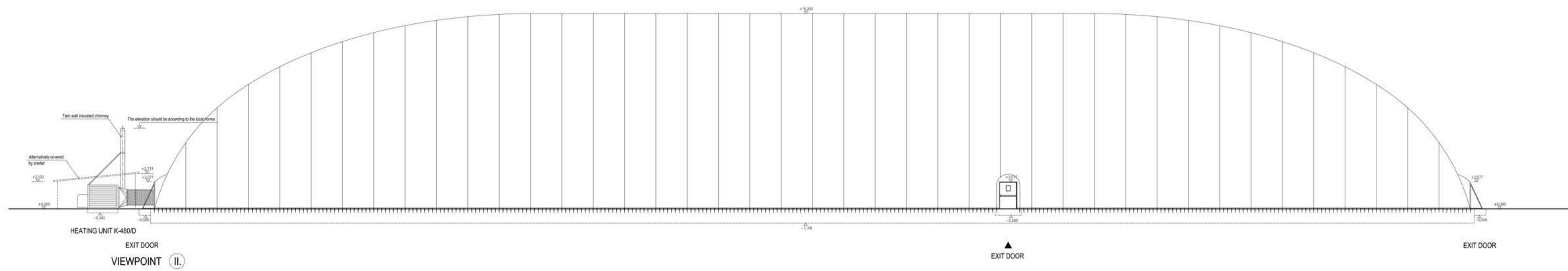
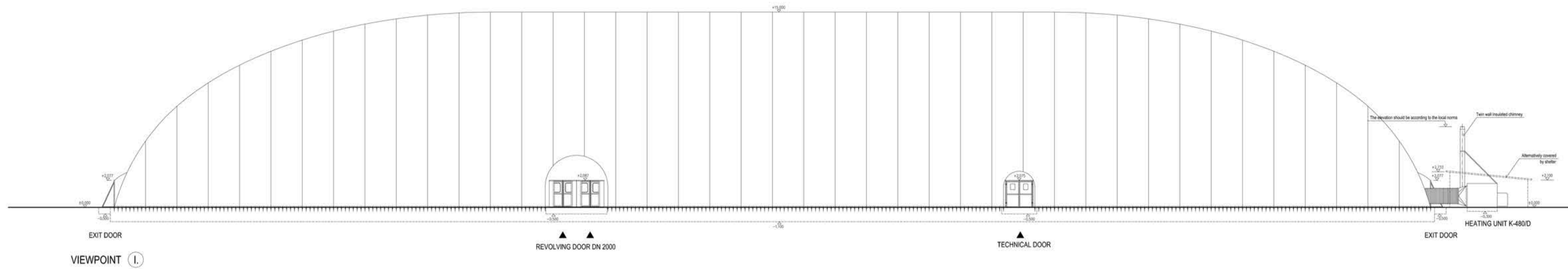
AIR DOME 101,00 x 49,00 x 15,00

- double membrane

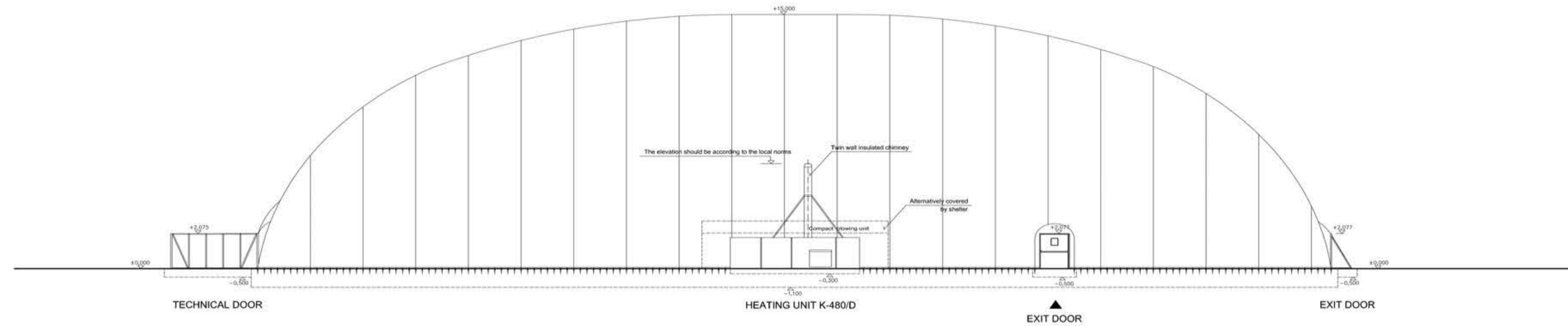


AIR DOME 101,00 x 49,00 x 15,00

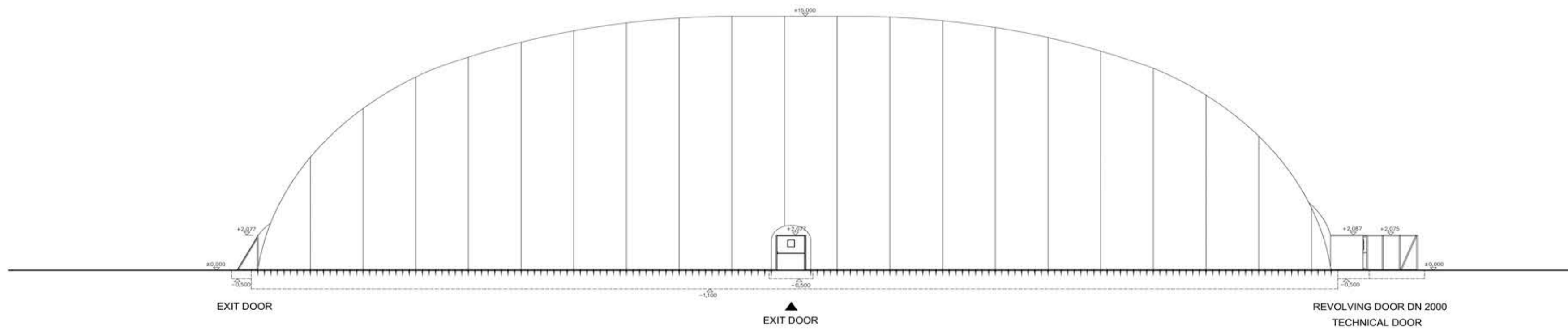
- double membrane



AIR DOME 101,00 x 49,00 x 15,00
- double membrane

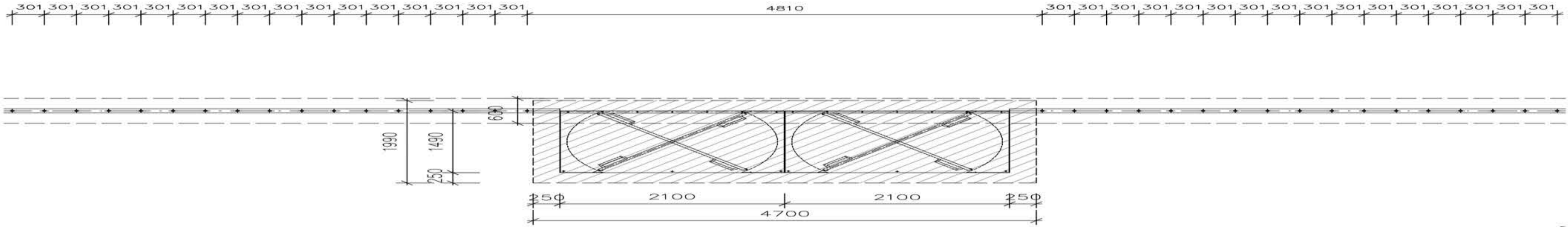


VIEWPOINT III.

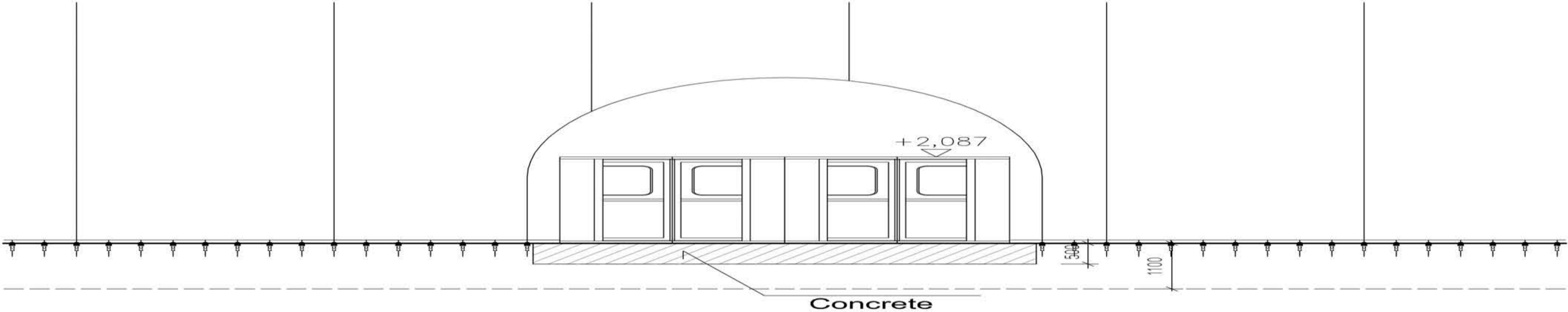


VIEWPOINT IV.

AIR DOME 101,00 x 49,00 x 15,00 - double membrane

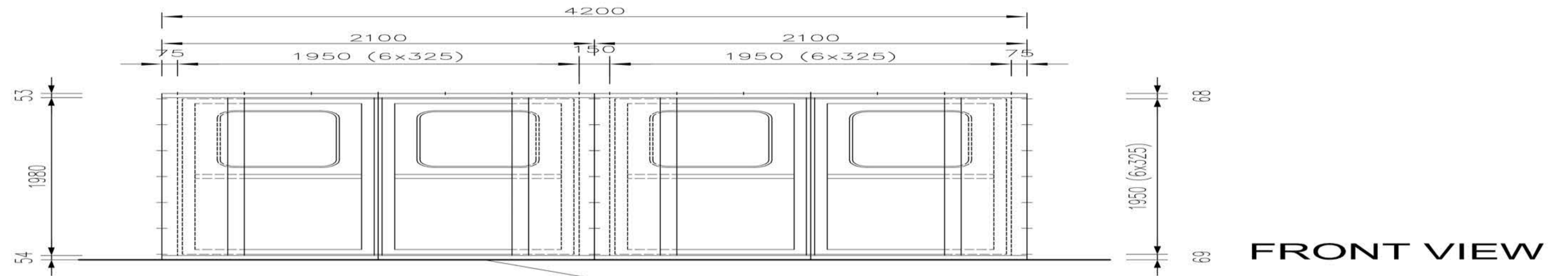


PLAN VIEW

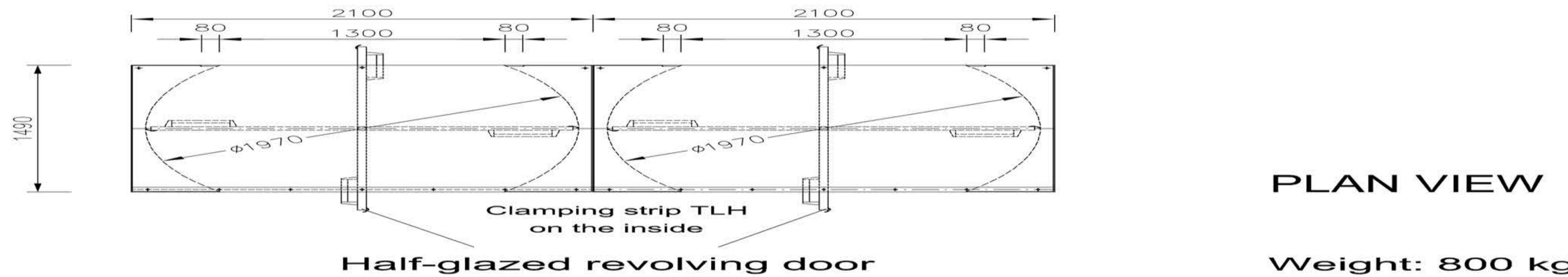
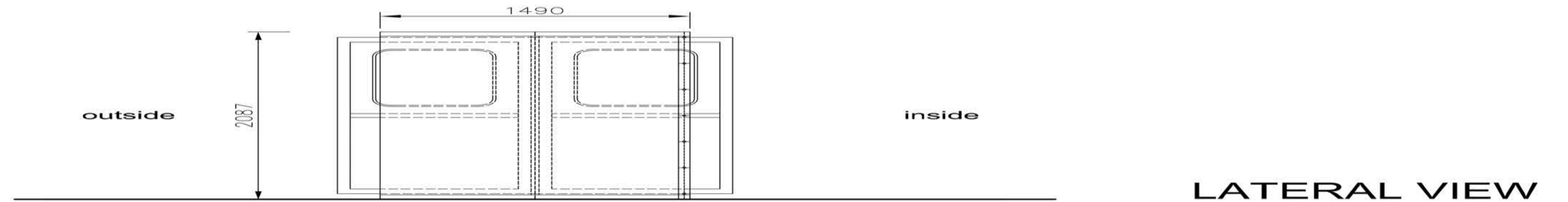


LATERAL VIEW

AIR DOME 101,00 x 49,00 x 15,00 - double membrane

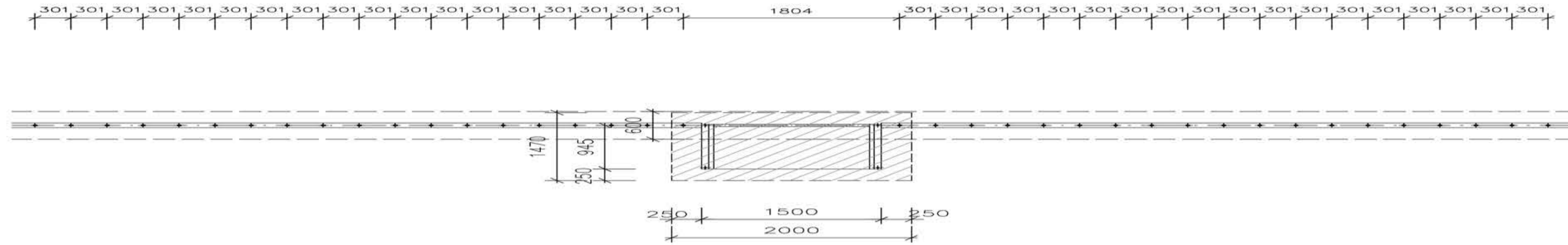


The floor plate with its entire ground surface can rest on the set-up surface

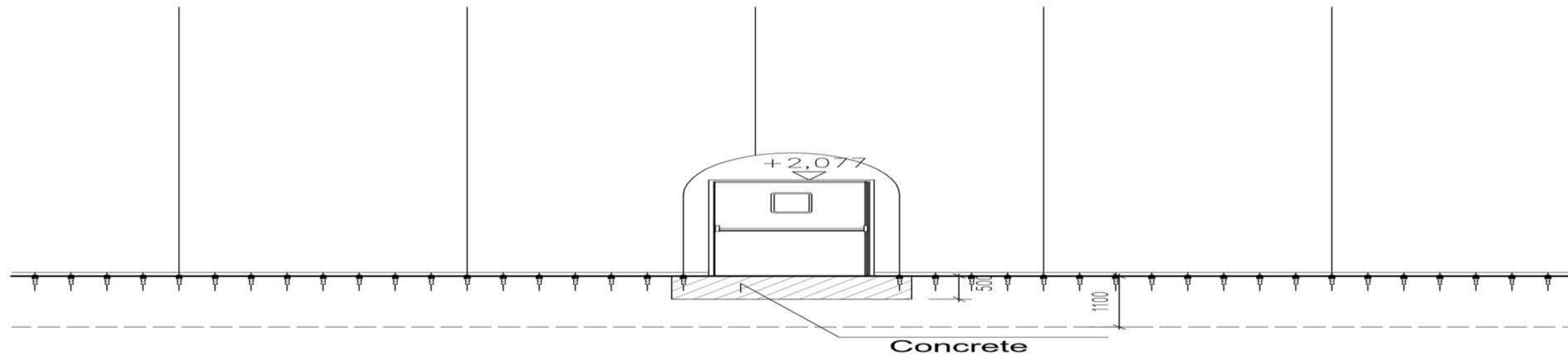


Weight: 800 kg

AIR DOME 101,00 x 49,00 x 15,00 - double membrane

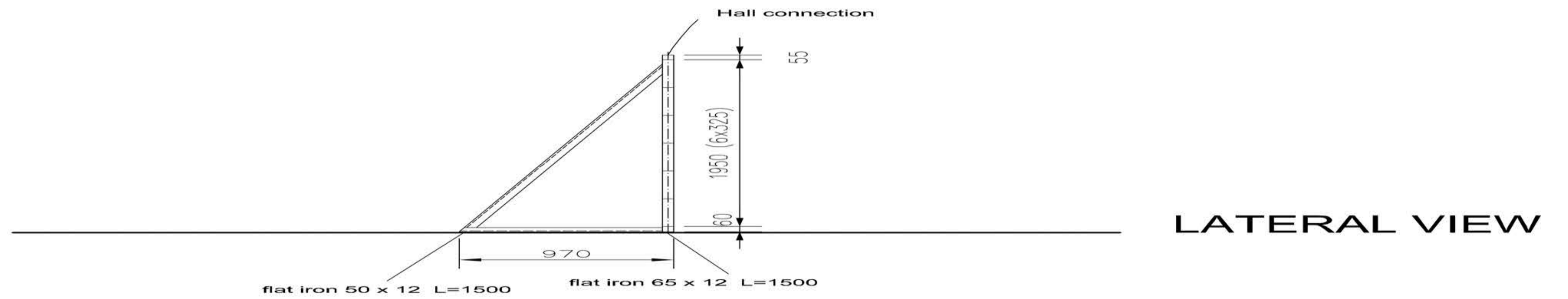
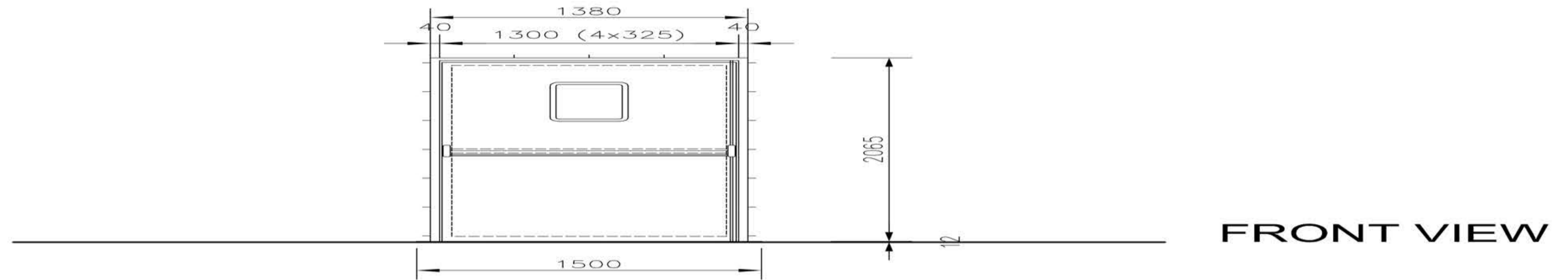


PLAN VIEW

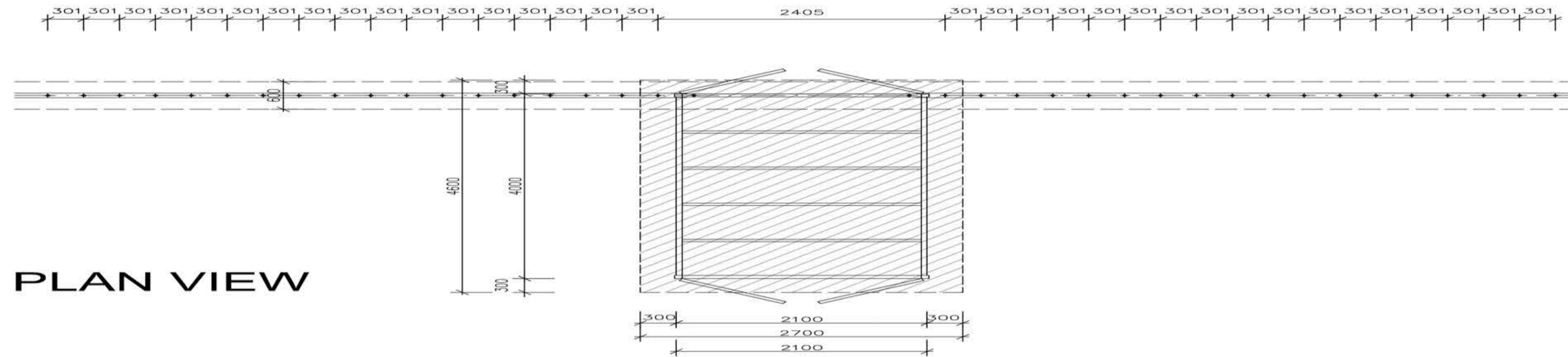


LATERAL VIEW

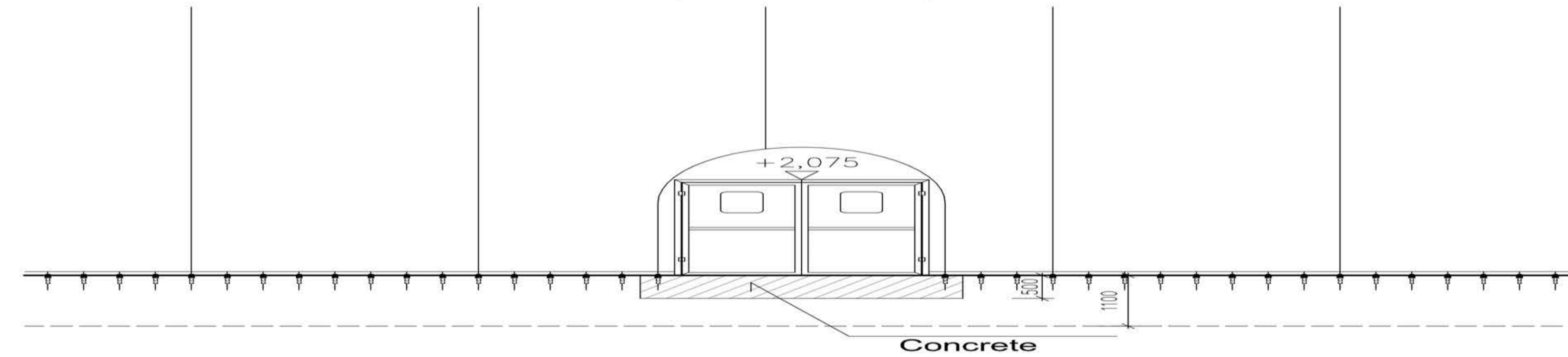
AIR DOME 101,00 x 49,00 x 15,00 - double membrane



AIR DOME 101,00 x 49,00 x 15,00 - double membrane

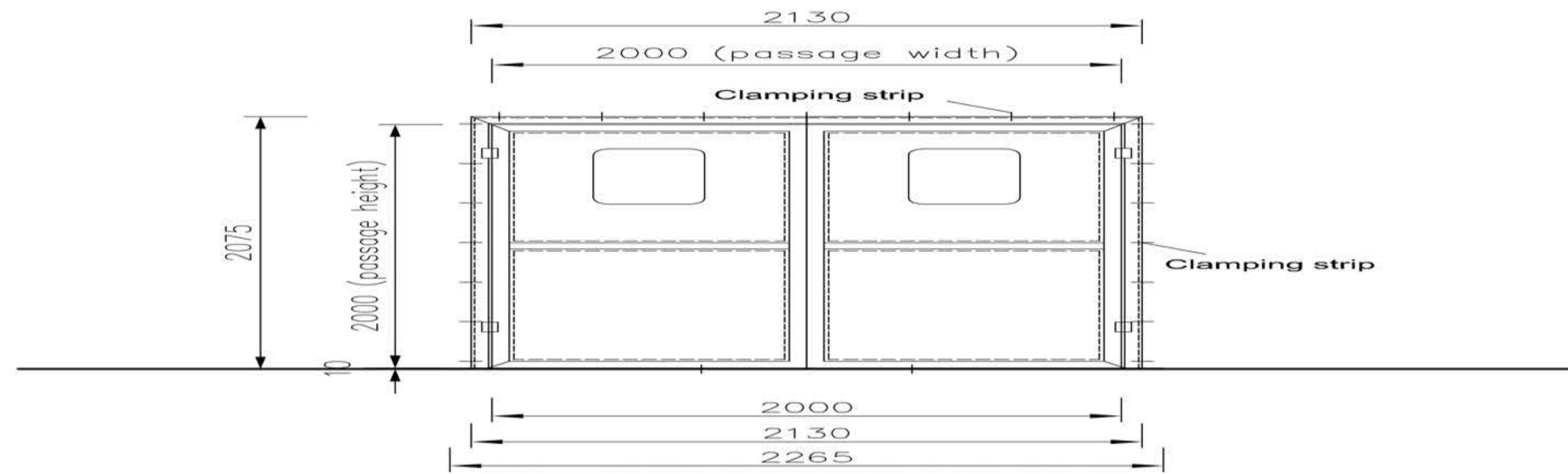


PLAN VIEW

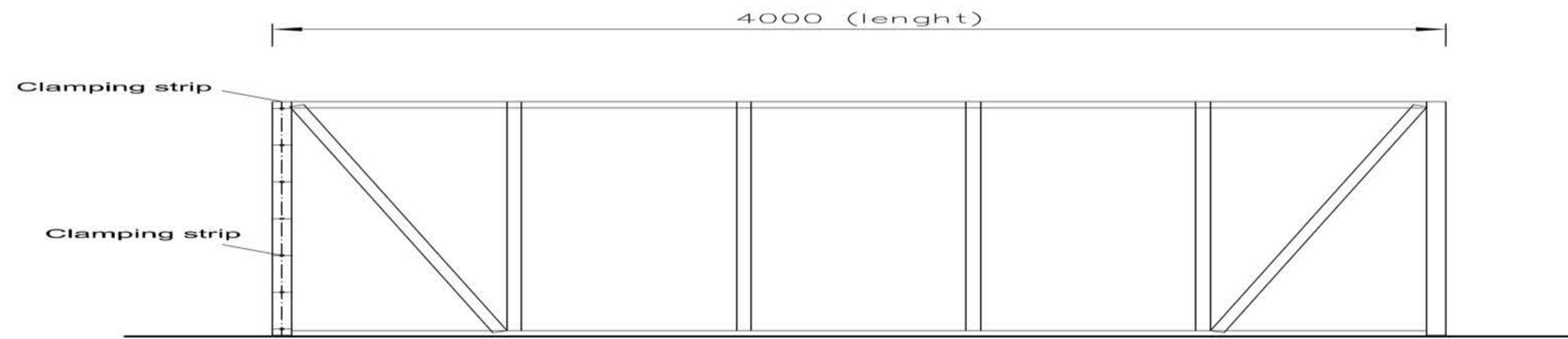


LATERAL VIEW

AIR DOME 101,00 x 49,00 x 15,00 - double membrane



FRONT VIEW

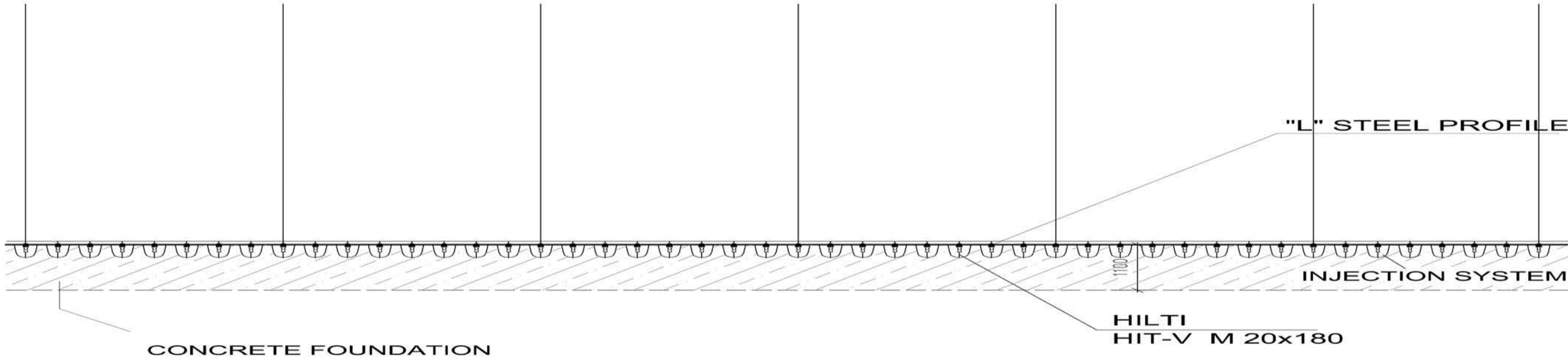


LATERAL VIEW

material lock complete with sheet metal cladding

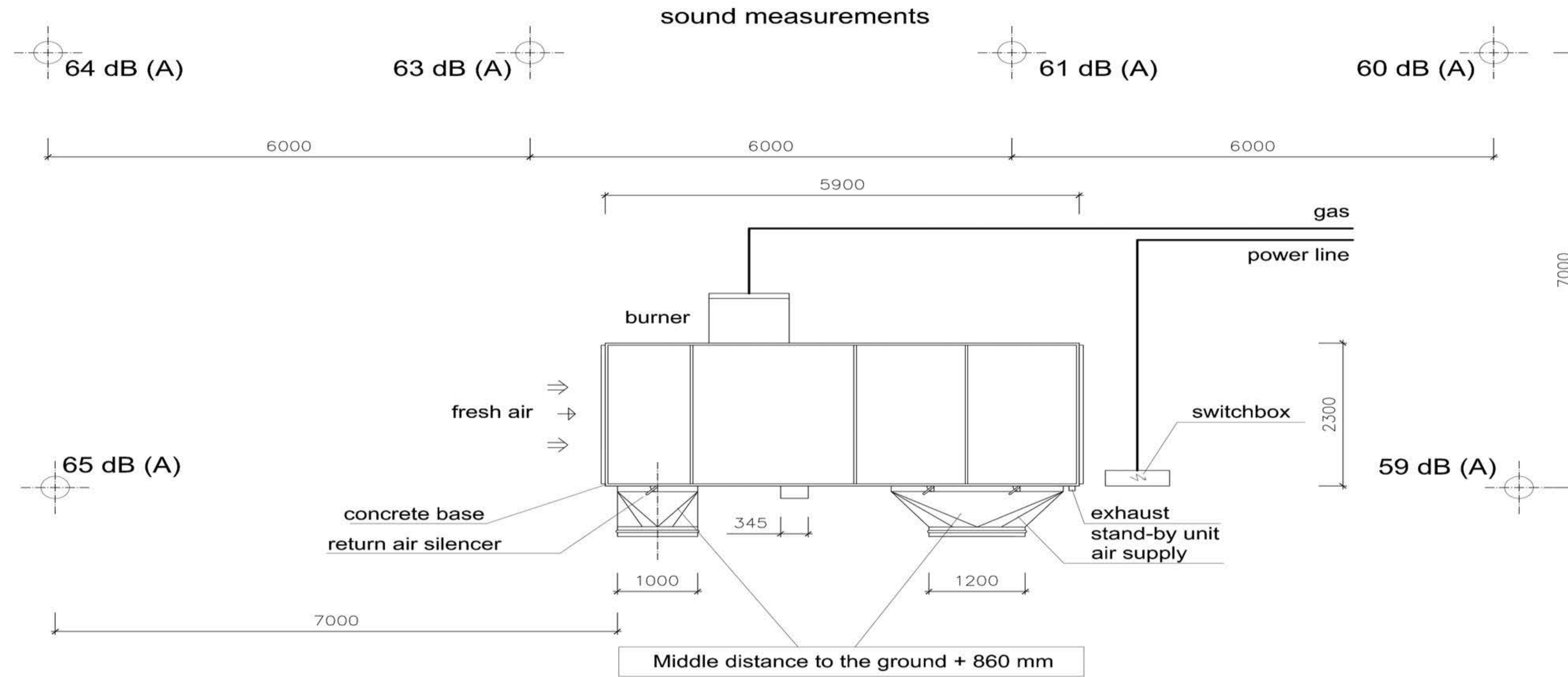
**AIR DOME 101,00 x 49,00 x 15,00
- double membrane**

EUROPEAN TECHNICAL APPROVAL
ETA 11/0493

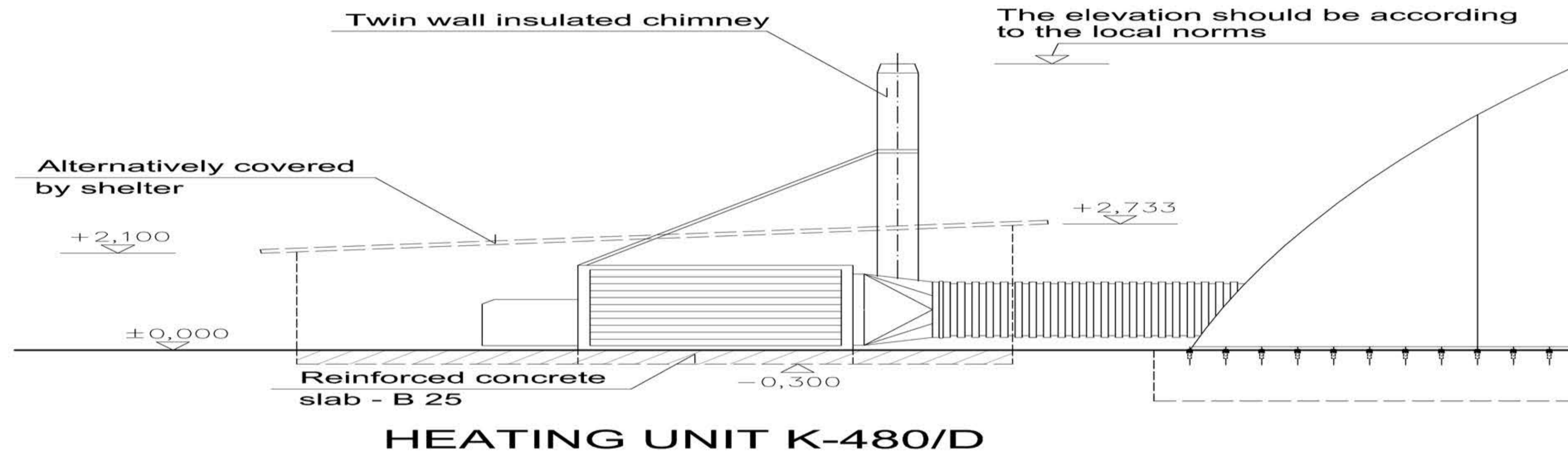


ANCHORS INTO CONCRETE FOUNDATION

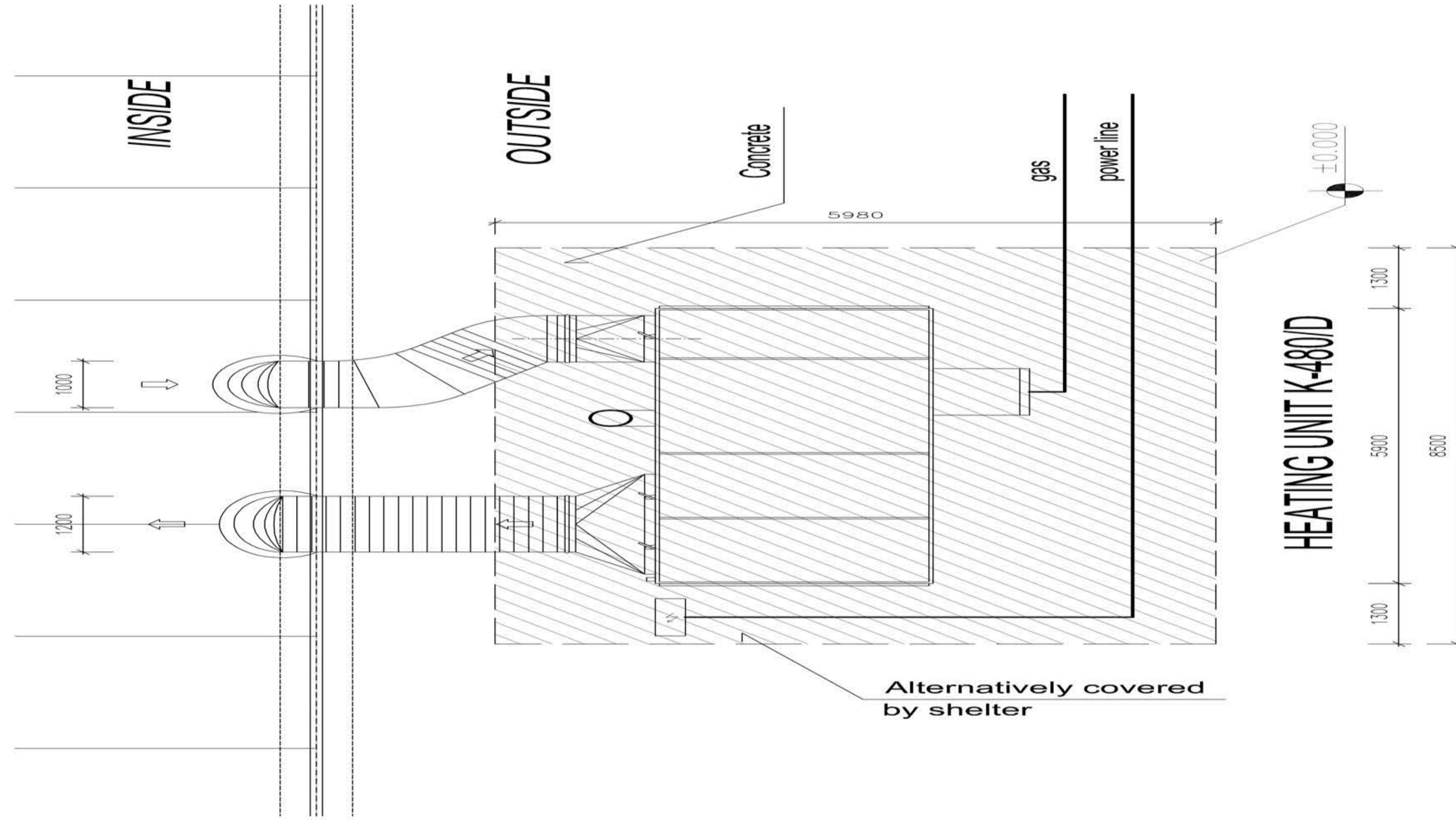
AIR DOME 101,00 x 49,00 x 15,00 - double membrane



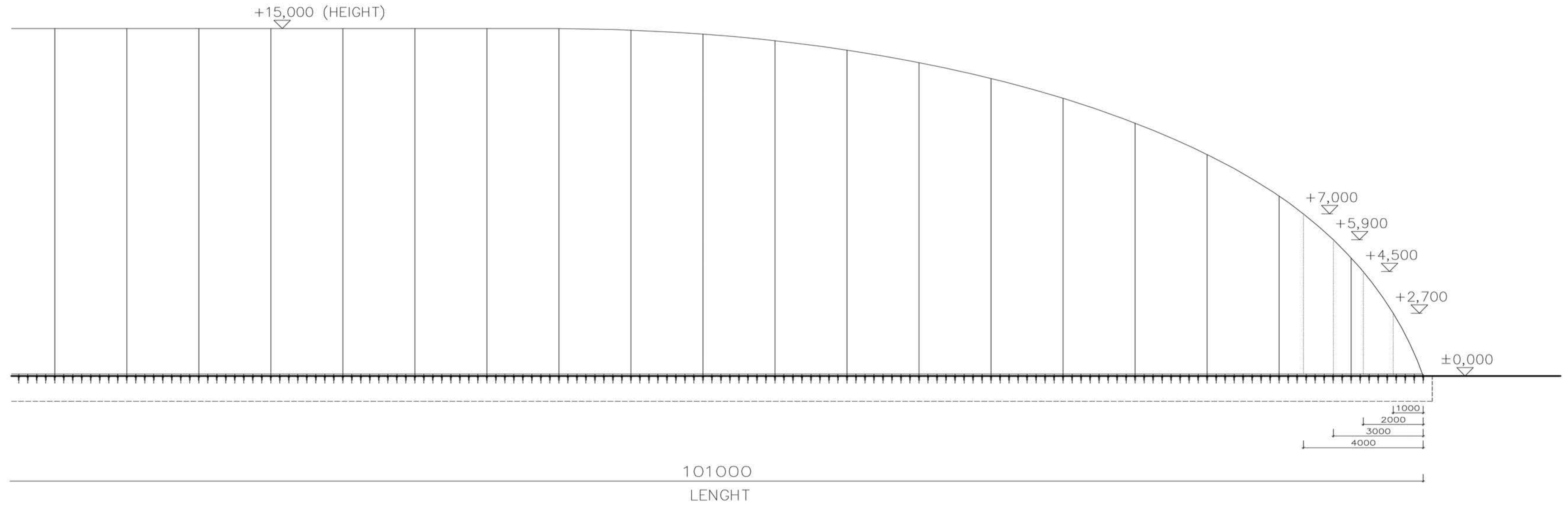
AIR DOME 101,00 x 49,00 x 15,00 - double membrane



AIR DOME 101,00 x 49,00 x 15,00 - double membrane



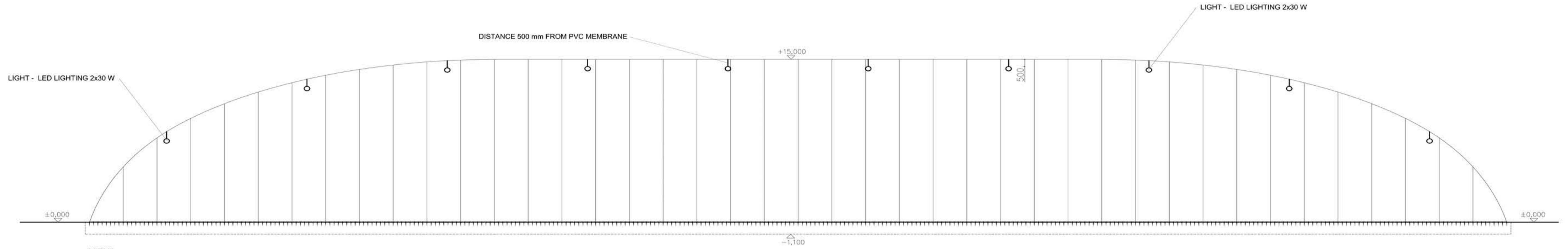
AIR DOME 101,00 x 49,00 x 15,00 - double membrane



RADIUS OF HALL

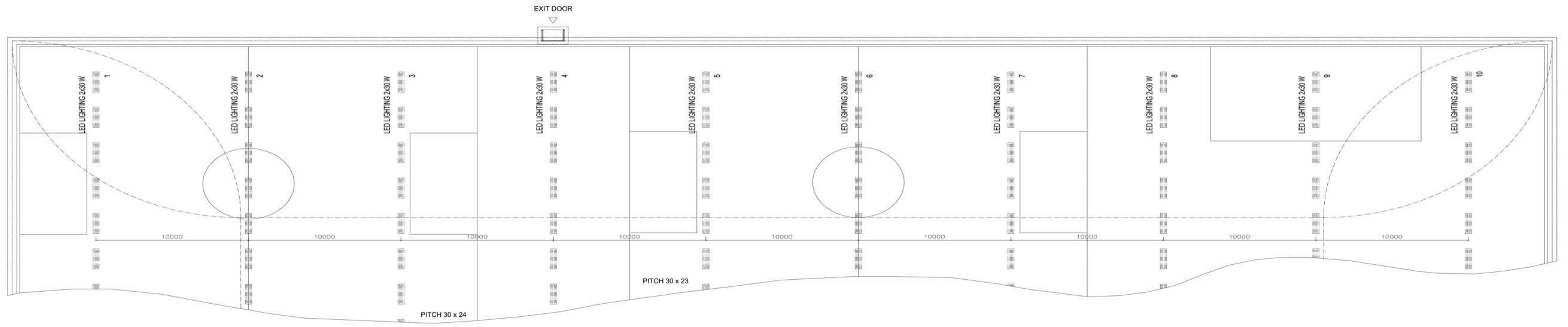
101000
LENGHT

AIR DOME 101,00 x 49,00 x 15,00
- double membrane



VIEW

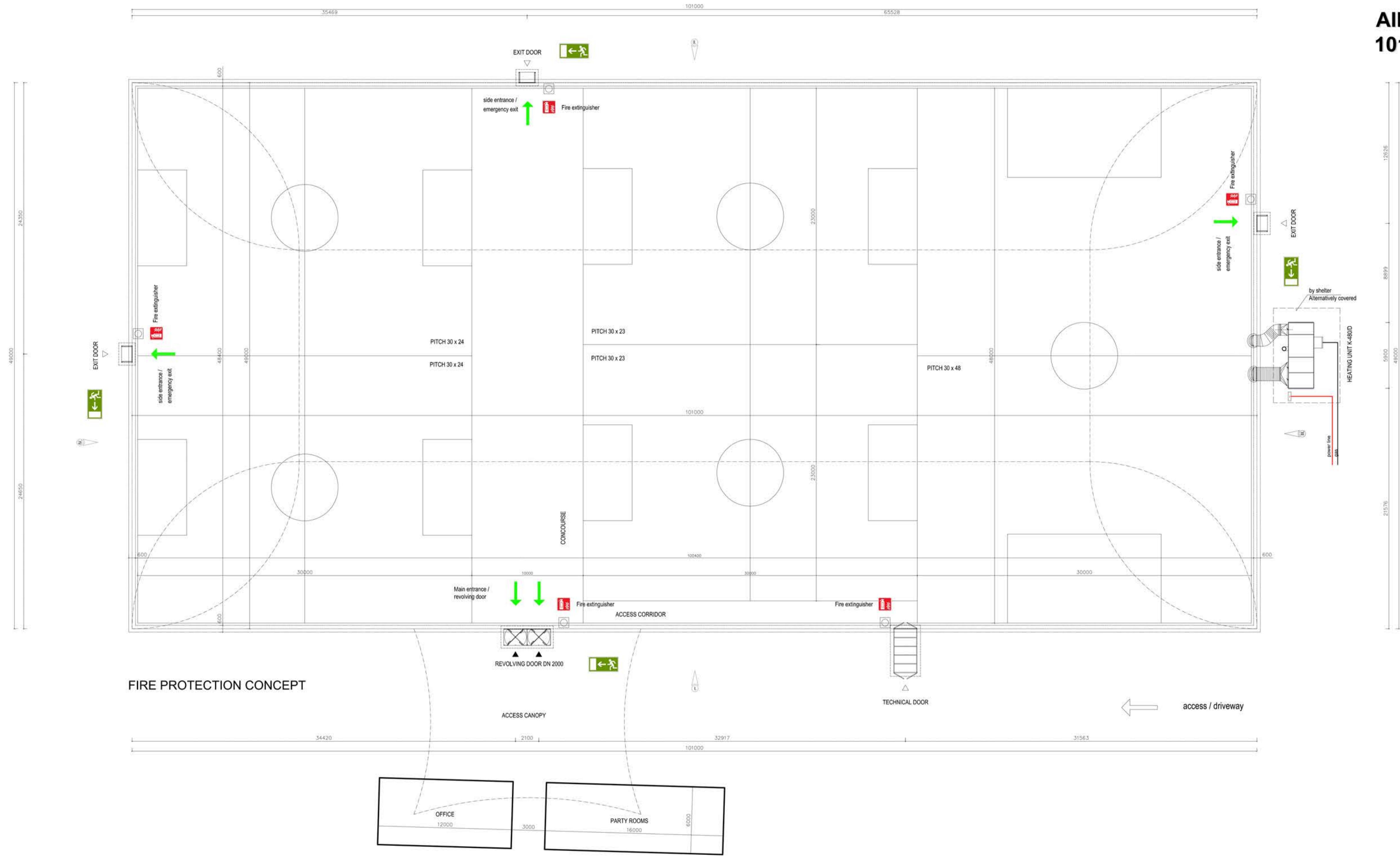
ON THE MAIN PVC MEMBRANE ARE WELDED THE HANDLES ACCORDING STANDARD



PLAN VIEW

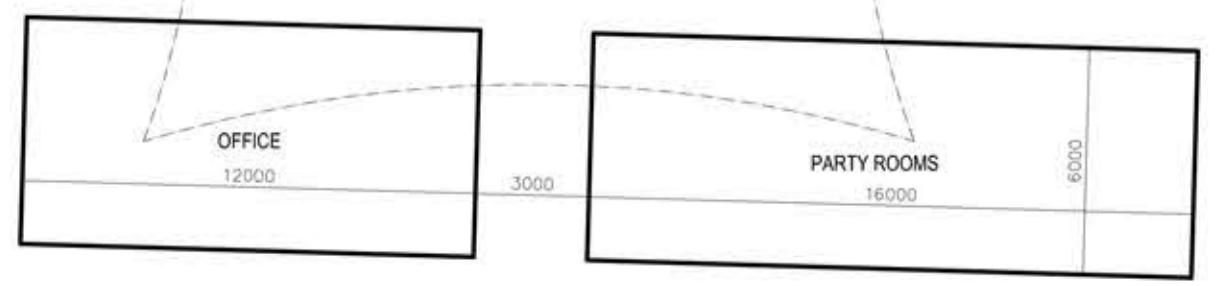
LIGHTING

AIR DOME
101,00 x 49,00 x 15,00
 - double membrane

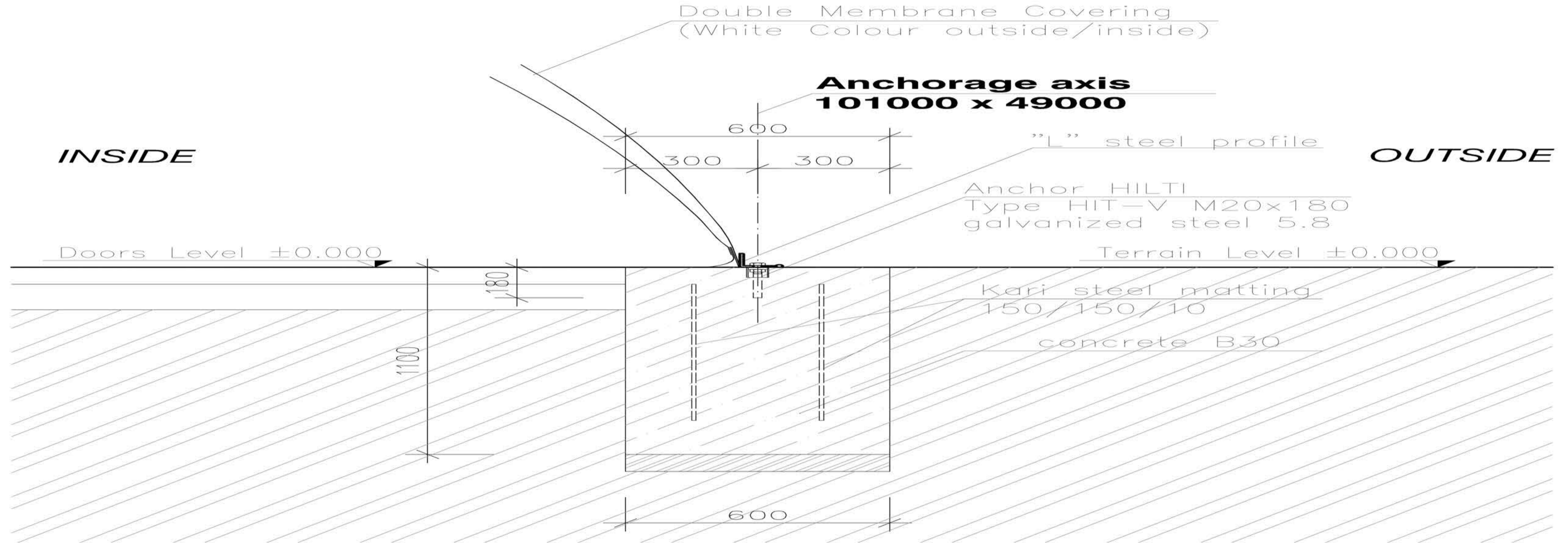


FIRE PROTECTION CONCEPT

← access / driveway



AIR DOME 101,00 x 49,00 x 15,00 - double membrane



**CROSS-SECTION OF TYPICAL ANCHORAGE AND FOUNDATION
(CUSTOMER CARE)
SCALE 1:20**

AIR DOME 101,00 x 49,00 x 15,00 - double membrane

